

# Data Sheet

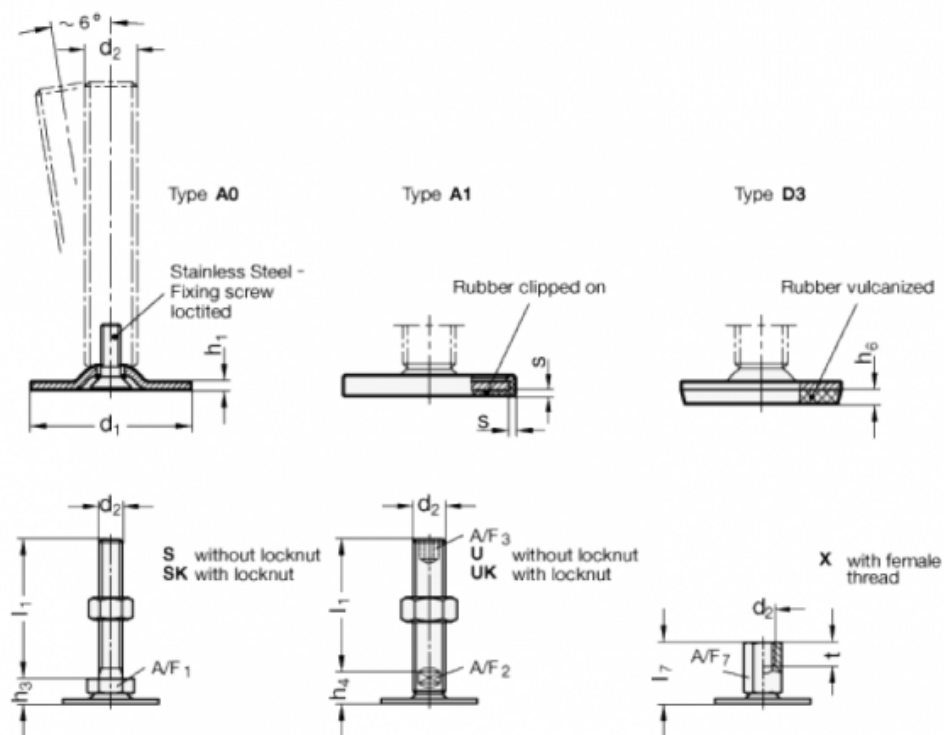


Article number: 204040M850A3S

Description: E+G levelling foot  
GN 40-40-M8-50-A3-S

Note: S Without nut, External hexagon at the bottom

## Measures



A/F1	= 17
d1	= 40
d2	= M8
h1	= 2
h3	= 11
h6	= 3.5
l1	= 50
s	=